

RXB080I_Lite

2.4GHz BLE 4.2 & 5.0 Module breakout board

Datasheet

5



PRODUCT DESCRIPTION

The RYB080I_lite is based on REYAX RYB080I, RYB080I_lite integrated power and pins, it is designed for BLE applications, Developers can use a simple AT command MCU then connectivity products to the BLE device and smartphone.

APPROVED CERTIFICATIONS

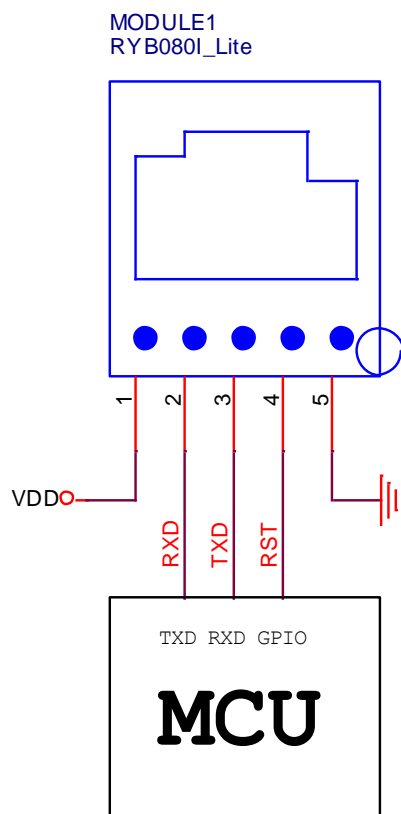
- FCC CFR47 Part 15 (US)
- NCC (Taiwan)
- MIC (Japan)

SPECIFICATION

Item	Min.	Typical	Max.	Unit	Condition
Operation Voltage	1.8		3.8	V	VDD
Digital I/O Voltage		3.3		V	RST, TXD, RXD
Baud Rate		9600	115200	bps	
Operating Temperature	-40	25	+85	°C	
Antenna					Embedded PCB Antenna
Dimensions					
Weight		1.44		g	

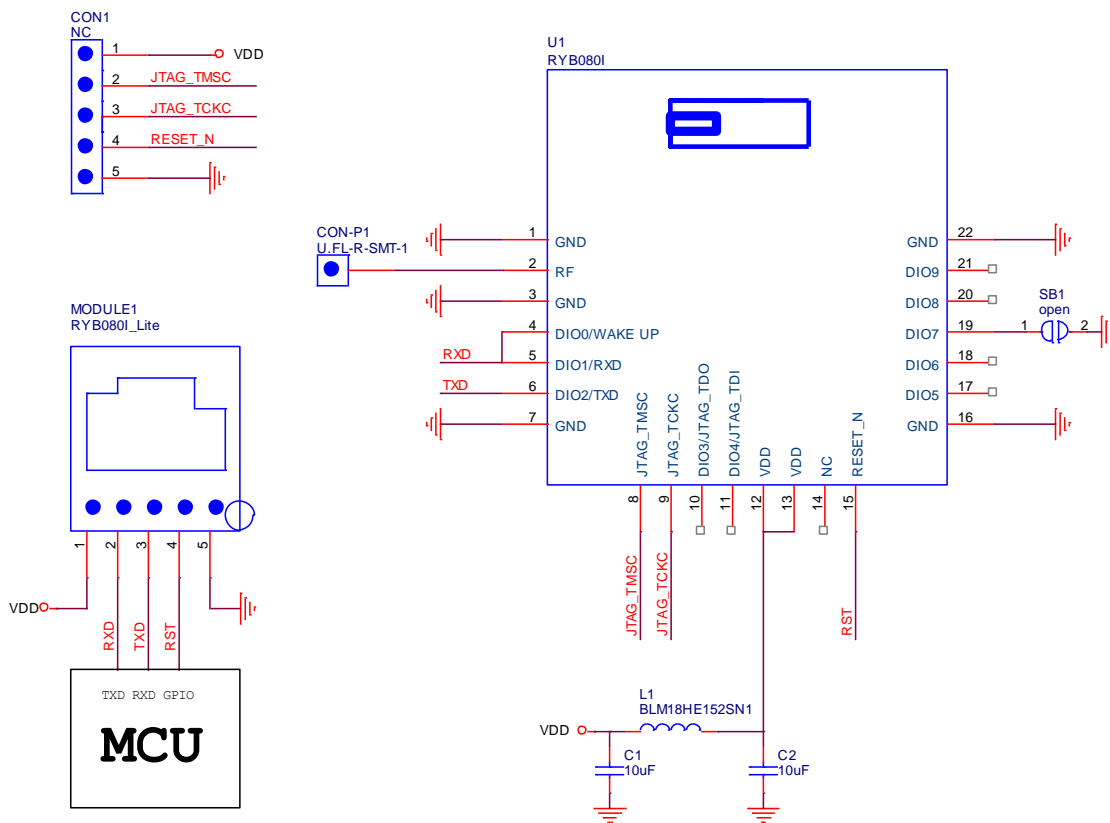
*Detailed specifications please refer to RYB080I

PIN DESCRIPTION



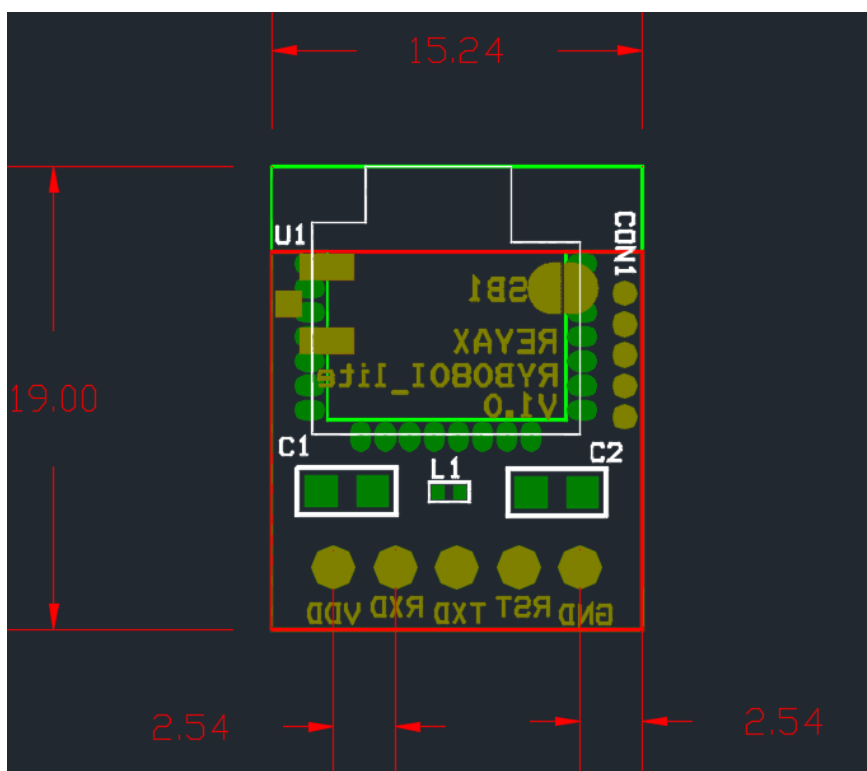
Pin	Name	I/O	Condition
1	VDD	I	Power Supply (+1.8V~+3.8V)
2	RXD	I	UART Data Input
3	TXD	O	UART Data Output
4	RST	I	Low Reset
5	GND	-	Ground

RYB080I_Lite SCHEMATIC



Title		
REYAX RYB080I_lite		
Size	Document Number	Rev
Custom:Doc>		1.0
Date:	Sunday, May 13, 2018	Sheet 1 of 1

DIMENSIONS



Unit : mm

PCB Thickness : 1mm

REYAX
TECHNOLOGY CORPORATION, LTD

Website: <http://reyax.com>